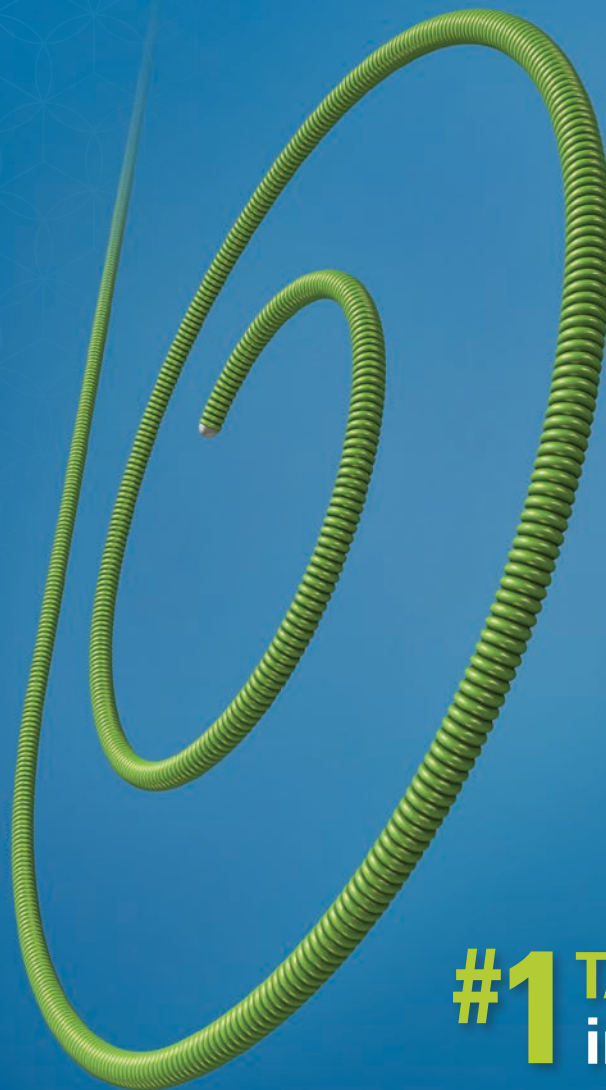


SAFARI²™
Pre-Shaped Guidewire

Shaped and
Sized for
SAFETY



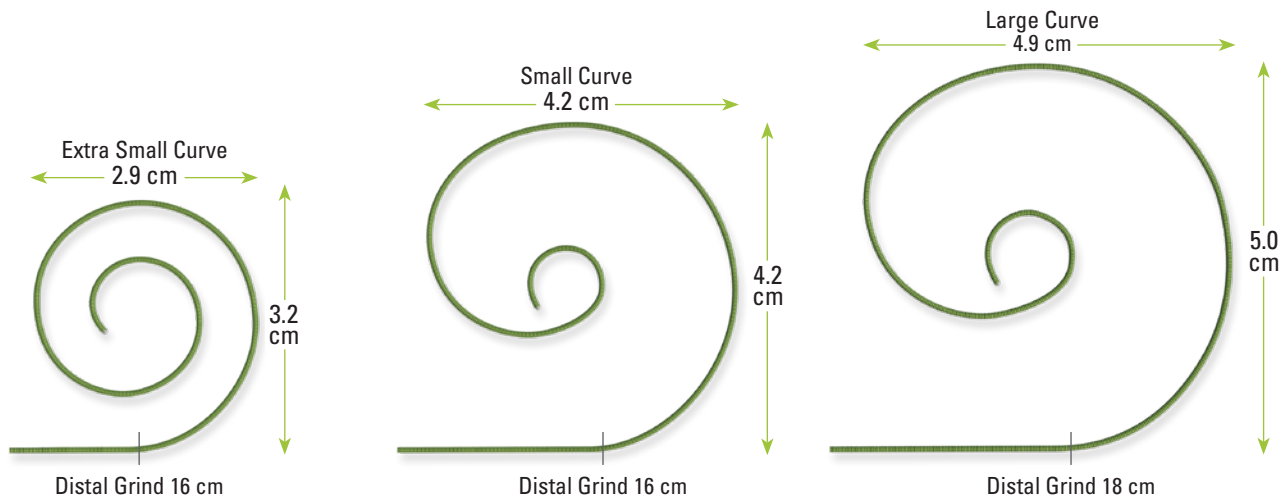
#1 TAVI Wire
in Europe¹

Predictable, Atraumatic Performance Providing Complete Reassurance

- Pre-shaped design for predictable, reliable performance across a broad spectrum of transcatheter devices
- Double curve architecture absorbs contractions of the left ventricle and facilitates stable, atraumatic placement
- Best-in-class rail support and controlled positioning with the LOTUS *Edge*[™] and ACURATE *neo*[™] Aortic Valve Systems^{§,**,††}

Size Flexibility

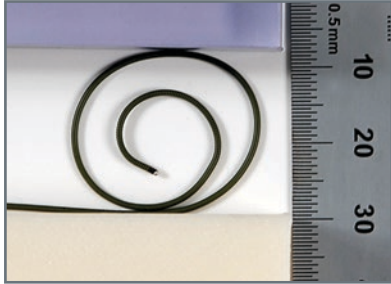
- Multiple curve sizes enable customized selection based on physician preference
- Extra small curve designed for small and/or hypertrophic ventricles



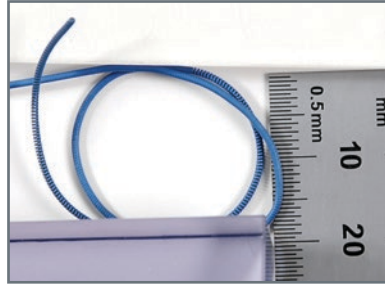
Best-in-Class Shape Retention

SAFARI²™ Guidewire demonstrates superior curve retention and maintenance of geometry during compression

Compression Testing



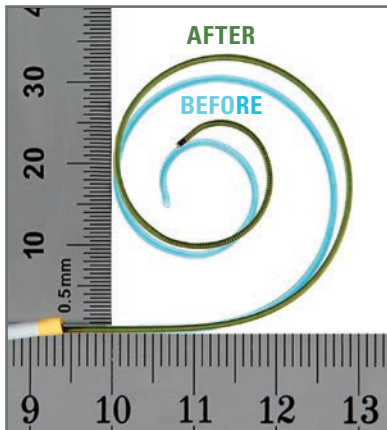
SAFARI² Guidewire



Amplatz Super Stiff™ Guidewire

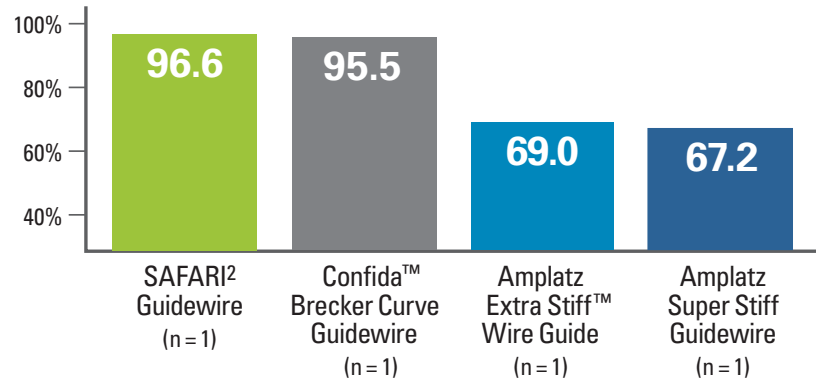
SAFARI² Guidewire keeps a stable position and curve when subjected to an equivalent compression load simulating the compression in the left ventricle

Curve Retention Testing



SAFARI² Guidewire

Curve Retention (%)



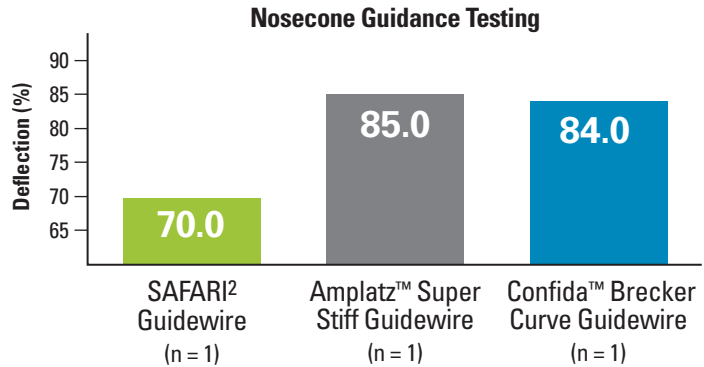
In competitive bench testing the SAFARI² Guidewire outperformed other wires in shape retention, preserving 96% of its original shape after use

Optimal Nosecone Guidance

The SAFARI²™ Guidewire is designed for optimal nosecone guidance and control during valve positioning and delivery with both LOTUS *Edge*™ and ACURATE *neo*™ Aortic Valve Systems^{†,††}



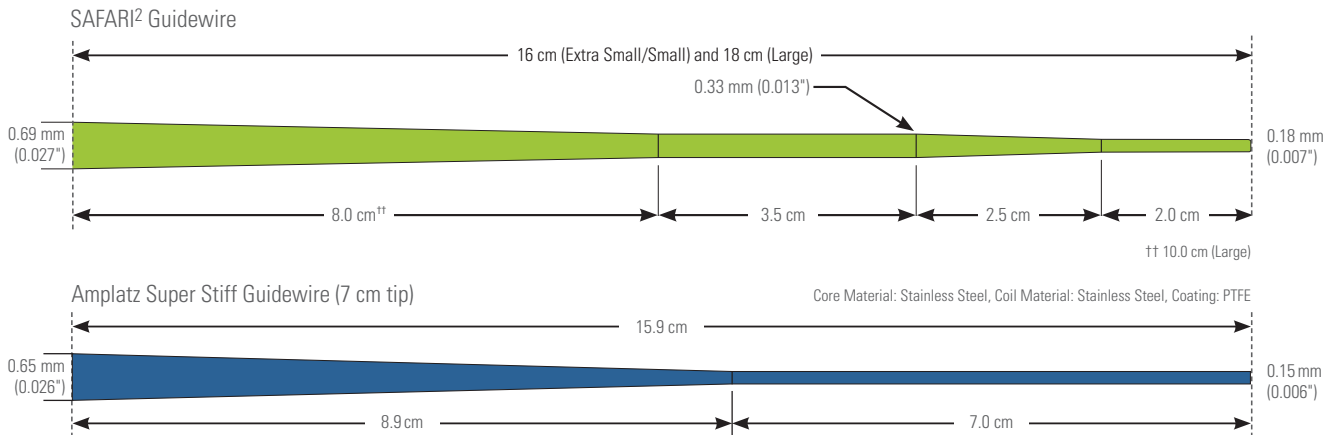
Tests measure the degree of deflection of the distal curve when tracking the nosecone of the Lotus *Edge* Valve System



SAFARI² Guidewire deflected less than the Amplatz Super Stiff or Confida wire when tracking the nosecone of the LOTUS *Edge* Valve System over the proximal part of the curve

Distal Curve Designed for Atraumatic Valve Procedures

Smooth tapering of the distal core for optimal distal tip rail support

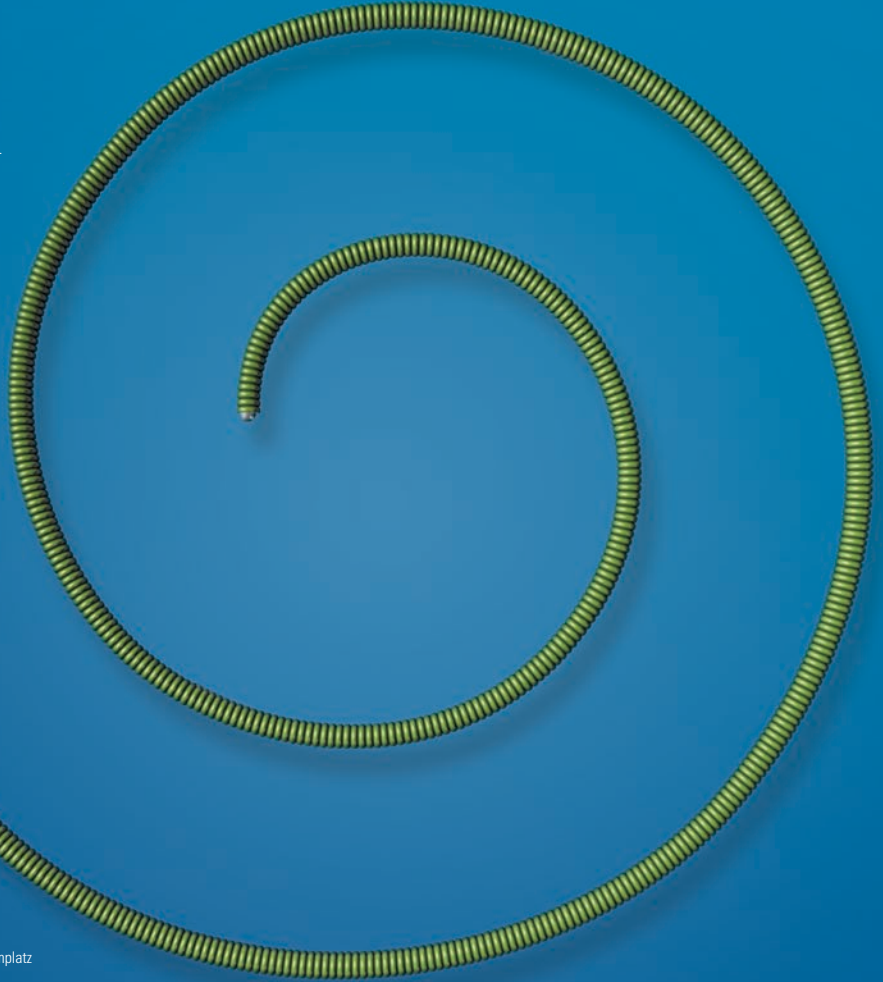


Bench testing performed by Boston Scientific. Bench test results may not necessarily be indicative of clinical performance. Data on file.

CAUTION: The LOTUS *Edge* Aortic Valve System is an investigational device. Limited by U.S. law to investigational use only. Not available for sale. The ACURATE *neo*™ Aortic Valve System is CE marked. In the U.S., it is not available for use or sale.

Enables Safe Treatment of a Broad Range of Patients with Valvular Disease

- Enhanced wire predictability with superior shape retention^{*,†}
- Streamlined device delivery through optimized rail support^{‡,§,**,††}
- Widest guidewire choice with three curve sizes



REFERENCES

1. BIBA MedTech European Cardiovascular Monitor

Bench testing performed by Boston Scientific. Bench test results may not necessarily be indicative of clinical performance. Data on file.

* Curve Retention test data with SAFARI² Extra Small, Confida™ Brecker, Amplatz Extra Stiff™, and Amplatz Super Stiff™ Guidewires (n = 1).

† Guidewire Compression test data with SAFARI² Extra Small, Confida Brecker, Amplatz Extra Stiff, and Amplatz Super Stiff Guidewires (n = 1).

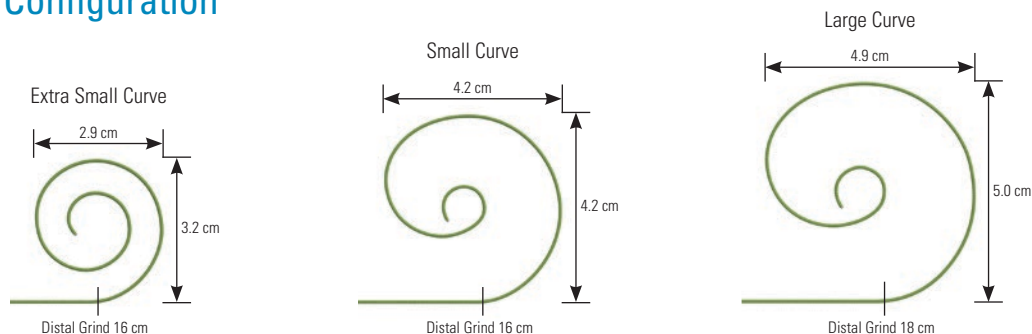
‡ Nosecone Tracking test data with SAFARI² Extra Small, Confida Brecker, Amplatz Extra Stiff, and Amplatz Super Stiff Guidewires (n = 1).

§ Simulated Use Static Friction, Dynamic Friction, and Distal Curve Displacement test data with LOTUS™ Valve System with SAFARI Large and Amplatz Super Stiff Guidewires (n = 4).

** Simulated Use Friction, Dynamic Friction, and Distal Curve Displacement with Evolut™ R with SAFARI² Extra Small and Confida Brecker Guidewires (n = 3).

†† Per VAR 550 342 ACURATE *neo*™ and SAFARI validation testing the performance of ACURATE *neo* TF delivery system is compatible with the SAFARI² Guidewire in a representative simulated use environment.

Curve Tip Configuration



Order Information

Order Number (GTIN)	Ref/Catalog Number	Description	Outer Diameter		Length	Quantity per Box
			(inches)	(mm)		
08714729887614	H749 39406XS 1	SAFARI ² Guidewire Extra Small Curve	0.035	0.889	275 cm	5 Pack
08714729887591	H749 39406S 1	SAFARI ² Guidewire Small Curve	0.035	0.889	275 cm	5 Pack
08714729887577	H749 39406L 1	SAFARI ² Guidewire Large Curve	0.035	0.889	275 cm	5 Pack
08714729887638	H749 39407XS 0	SAFARI ² Guidewire Extra Small Curve	0.035	0.889	275 cm	1 Single
08714729887652	H749 39407S 0	SAFARI ² Guidewire Small Curve	0.035	0.889	275 cm	1 Single
08714729887645	H749 39407L 0	SAFARI ² Guidewire Large Curve	0.035	0.889	275 cm	1 Single

The C-code used for this product is C11769 Guidewires. C-codes are used for hospital outpatient device reporting for Medicare and some private payers. Boston Scientific is not responsible for the correct use of codes on submitted claims; this information does not constitute reimbursement or legal advice.

The SAFARI² Guidewire is manufactured by Lake Region Medical and distributed by Boston Scientific Corporation. Illustrations for information purposes – not indicative of actual size or clinical outcome. All trademarks are the property of their respective owners.

SAFARI² Pre-Shaped TAVR TAVI Guidewire

Intended Use/Indications for Use: The SAFARI² Guidewire is intended to facilitate the introduction and placement of interventional devices within the chambers of the heart including those used within transcatheter aortic valve procedures. **Contraindications:** This wire is not intended for use in the cerebrovasculature or coronary arteries.

Warnings: • The SAFARI² Guidewire should be used only by physicians trained in the introduction and placement of interventional devices including those used within transcatheter aortic valve procedures. • Carefully read all instructions prior to use. Observe all warnings and precautions. Failure to do so may result in complications. • Prior to use, inspect for damage. If damaged, DO NOT USE. • Monitor wire position throughout the procedure for proper placement of curve and distal tip. • Do not torque this guidewire. • Use extreme caution and careful judgment in patients for whom anticoagulation is not indicated. • Inserting the distal end of the guidewire through a Tuohy-Borst Adapter may result in damage to the tip of the guidewire. • If contrast agents are used, use extreme caution in patients who have had a severe reaction to contrast agents and who cannot be adequately premedicated. • When advancing or removing the guidewire, always use fluoroscopic guidance with radiographic equipment that provides high-resolution images. Never position the guidewire blindly, as this may result in misplacement, dissection or perforation. • Exercise care in handling of the guidewire during a procedure to reduce the possibility of accidental breakage, bending, kinking, or coil separation. Resulting guidewire fractures may require additional percutaneous intervention or surgery. • Never advance the guidewire against the resistance without first determining the reason for resistance under fluoroscopy. Excessive force against resistance may result in damage to the catheter or vessel/organ. Care should be taken when advancing a guidewire after device deployment. • The curve of the SAFARI² Guidewire should be constrained within a catheter during insertion into or withdrawal from the body or treatment site. • The SAFARI² Guidewire is manufactured with a double curve; attempts to modify may alter its performance. Alterations to curve may lead to complications including Perforation or Dissection, Mitral Valve Regurgitation, Pericardial Effusion, Cardiac Tamponade, Cardiac Arrest and Guidewire Replacement. **Adverse Events:** • Access site complication • Additional Surgical Procedure • Air Embolism/Thromboembolism • Allergic Reaction • Amputation • Aorta Complications • Arteriovenous (AV) Fistula • Arrhythmia • Bleeding • Cardiac and/or Septal Perforation • Death • Embolism • Hematoma • Hemorrhage • Hemoglobinuria • Hypovolemia • Infection or Sepsis • MACCE • Myocardial Ischemia and/or Infarction • Pericardial Effusion • Pseudoaneurysm • Renal Failure or Injury • Stroke or other Neurologic event • Tamponade • Thrombus • Valve Complications • Vascular Complication • Vessel Occlusion • Vessel Perforation, Dissection, Trauma, or Damage • Vessel Spasm • Wire Entrapment/Entanglement • Foreign Body/Wire Fracture. **Caution:** Federal law (USA) restricts this device to sale by or on the order of a physician. Rx only. Prior to use, please see the complete "Directions for Use" for more information on Indications, Contraindications, Warnings, Precautions, Adverse Events, and Operator's Instructions.

91075696 AA

Boston Scientific
Advancing science for life[™]

Interventional Cardiology
300 Boston Scientific Way
Marlborough, MA 01752-1234
www.bostonscientific.com

To order product or for more information contact customer service at 1.888.272.1001.

© 2018 Boston Scientific Corporation or its affiliates. All rights reserved.

SH-322921-AC-US MAR2018